

# CLARK MASTS™

# QT Series

## *The lightweight mast with 101 uses*

*These telescopic masts are in use world-wide in their thousands. They are in continuous production since 1959 by Clark Masts.*



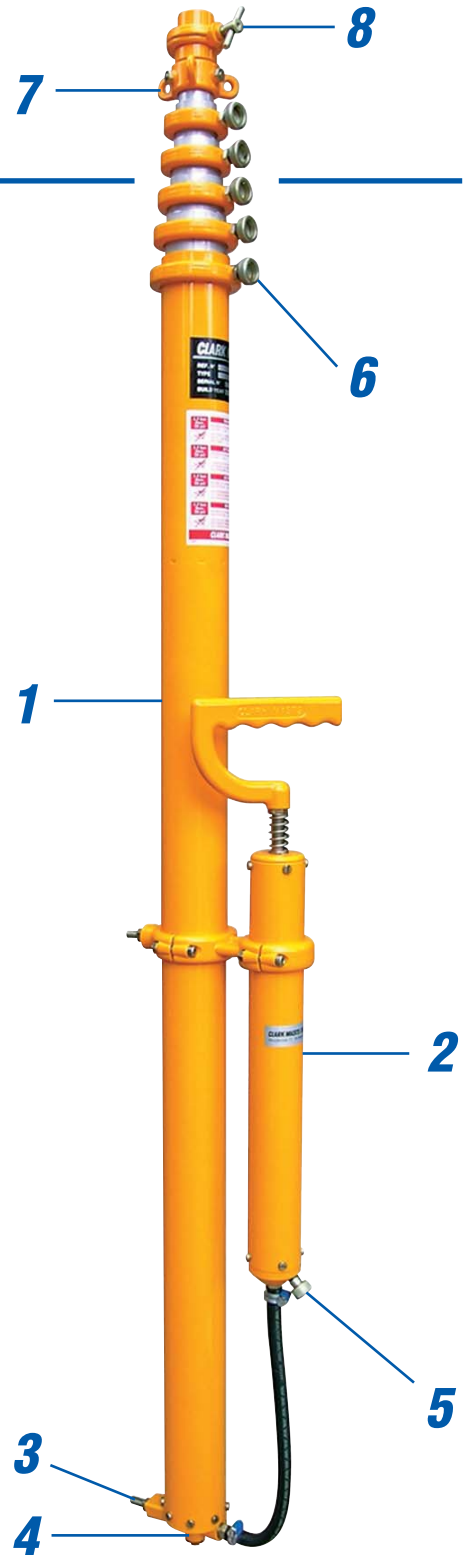
The popularity of QT masts lies in the concept. Aluminium construction for lightness and air pressure operated for simplicity.

The attached handpump provides the air for extension and the air release screw exhausts for retraction. For permanent extension, each section may be locked extended. When wind demands, the mast may be guyed using the guy collar.

***CLARK MASTS - Pioneer in fast erecting mast systems***

# Technical Details

*Silent, smooth and easy operation*



*The features that have made it such an attractive and useful piece of equipment are :*

1. Aluminium alloy sections
2. Handpump
3. Mounting studs M8
4. Water-drain plug
5. Air-release screw
6. Section-clamping screws
7. Guy collar
8. Quick-clamp for headload

## Standard QT Mast Range

### Rotatable QT Mast Range

3 1/2" / 88,9mm BASE TUBE

Mast Model	Cat. No.	Retracted Height	Extended Height	Standard Finish	Max. Headload
<b>6 section masts</b>					
QTX-R6-6/HP	34062	1,45 m	6,00 m	yellow paint	18,0 kg
CQTX-R6-6/HP	34442	1,45 m	6,00 m	natural anodised	18,0 kg
QTX-R8-6/HP	34064	1,85 m	8,00 m	yellow paint	18,0 kg
CQTX-R8-6/HP	34444	1,85 m	8,00 m	natural anodised	18,0 kg
QTX-R10-6/HP	34066	2,20 m	10,00 m	yellow paint	18,0 kg
CQTX-R10-6/HP	34446	2,20 m	10,00 m	natural anodised	18,0 kg
<b>8 section masts</b>					
QTX-R12-8/HP	34091	2,05 m	11,40 m	yellow paint	10,0 kg
CQTX-R12-8/HP	34451	2,05 m	11,40 m	natural anodised	10,0 kg

# Standard QT Mast Range

## Non-Rotatable QT Mast Range

2 1/2" / 63,5mm BASE TUBE

Mast Model	Cat. No.	Retracted Height	Extended Height	Standard Finish	Max. Headload
<b>4 section masts</b>					
QT6-4/HP	9459	1,90 m	6,10 m	yellow paint	10,0 kg
<b>6 section masts</b>					
QT4-6/HP	8285	1,10 m	4,25 m	yellow paint	4,5 kg
CQT4-6/HP	25929	1,10 m	4,25 m	natural anodised	4,5 kg
QT6-6/HP	8286	1,50 m	6,10 m	yellow paint	4,5 kg
CQT6-6/HP	25933	1,50 m	6,10 m	natural anodised	4,5 kg
QT9-6/HP	8287	1,95 m	9,00 m	yellow paint	4,5 kg
CQT9-6/HP	25935	1,95 m	9,00 m	natural anodised	4,5 kg
QT10-6/HP	25937	2,10 m	10,00 m	yellow paint	4,5 kg
CQT10-6/HP	25938	2,10 m	10,00 m	natural anodised	4,5 kg

3" / 76,2mm BASE TUBE

Mast Model	Cat. No.	Retracted Height	Extended Height	Standard Finish	Max. Headload
<b>4 section masts</b>					
CSQT6-4/HP	10865	1,90 m	6,00 m	natural anodised	20,0 kg
<b>5 section masts</b>					
CSQT9-5/HP	25158	2,25 m	9,00 m	natural anodised	18,0 kg
<b>6 section masts</b>					
SQT8-6/HP	33500	1,80 m	7,95 m	yellow paint	10,0 kg
CSQT8-6/HP	33501	1,80 m	7,95 m	natural anodised	10,0 kg
SQT9-6/HP	9451	1,95 m	8,80 m	yellow paint	10,0 kg
SQT10-6/HP	25525	2,20 m	10,15 m	yellow paint	10,0 kg
CSQT10-6/HP	17923	2,20 m	10,15 m	natural anodised	10,0 kg
SQT12-6/HP	25943	2,70 m	12,20 m	yellow paint	10,0 kg
CSQT12-6/HP	25944	2,70 m	12,20 m	natural anodised	10,0 kg
<b>7 section masts</b>					
SQT4-7/HP	9504	1,00 m	4,00 m	yellow paint	6,0 kg
CSQT4-7/HP	25931	1,00 m	4,00 m	natural anodised	6,0 kg
SQT15-7/HP	9479	2,80 m	15,00 m	yellow paint	2,5 kg
CSQT15-7/HP	25947	2,80 m	15,00 m	natural anodised	2,5 kg
<b>8 section masts</b>					
SQT12-8/HP	8388	2,00 m	11,55 m	yellow paint	2,5 kg
CSQT12-8/HP	25941	2,00 m	11,55 m	natural anodised	2,5 kg

3 1/2" / 88,9mm BASE TUBE

Mast Model	Cat. No.	Retracted Height	Extended Height	Standard Finish	Max. Headload
<b>6 section masts</b>					
QTX6-6/HP	34150	1,50 m	6,10 m	yellow paint	20,0 kg
CQTX6-6/HP	34151	1,50 m	6,10 m	natural anodised	20,0 kg
QTX8-6/HP	34152	1,80 m	7,95 m	yellow paint	20,0 kg
CQTX8-6/HP	34153	1,80 m	7,95 m	natural anodised	20,0 kg
QTX9-6/HP	34154	1,95 m	8,80 m	yellow paint	18,0 kg
CQTX9-6/HP	34155	1,95 m	8,80 m	natural anodised	18,0 kg
QTX10-6/HP	34156	2,20 m	10,15 m	yellow paint	18,0 kg
CQTX10-6/HP	34157	2,20 m	10,15 m	natural anodised	18,0 kg
<b>7 section masts</b>					
QTX15-7/HP	25519	2,80 m	15,00 m	yellow paint	10,0 kg
CQTX15-7/HP	25949	2,80 m	15,00 m	natural anodised	10,0 kg
<b>8 section masts</b>					
QTX12-8/HP	34175	2,00 m	11,70 m	yellow paint	10,0 kg
CQTX12-8/HP	34176	2,00 m	11,70 m	natural anodised	10,0 kg

# QT Masts Mounting Accessories

## Ground mounting

### Tripod Stand MK IV Cat. No. 9427

This very stable stand folds horizontally for storage. It may be further dismantled without tools for transport. Suitable for rotatable and non-rotatable QT masts up to 15 metres.

### Tripod Stand MK V Cat. No. 25164

This stand is suitable for non-rotatable QT masts up to 6 metres high. It is similar to the MK IV stand above but has shorter legs.



## Mounting mast on vehicle or shelter

### Saddle Clamps

These clamps, usually used in pairs, are for mounting the mast on any suitable vertical surface, making the mast instantly removable.

Models	Cat. No.
2 1/2" (63,5 mm) Saddle Clamp	25960
3" (76,2 mm) Saddle Clamp	2433
3 1/2" (88,9 mm) Saddle Clamp	25961



### Wall Mounting Brackets

These are the simplest brackets where a mast is fixed permanently to any suitable vertical surface.

Models	Cat. No.
2 1/2" (63,5 mm) Wall Mounting Bracket	1984
3" (76,2 mm) Wall Mounting Bracket	9920
3 1/2" (88,9 mm) Wall Mounting Bracket	25962



There is a full range of accessories for mounting QT masts in the field or attaching them to vehicles or shelters. Standard colours of accessories are yellow (RAL 1007) and silver grey (RAL 9006). Other colours and full technical details are available on request.

# CLARK MASTS™

All details given in this publication are approximate and may be subject to change without notice.

Distributor :

### CLARK MASTS SYSTEMS LTD

18/20 Ringwood Road, Binstead, Isle of Wight, PO33 3NX, England  
Tel : +44 (0)1983 563691 - Fax : +44 (0)1983 566643  
E-mail : sales@clarkmasts.com - Website : www.clarkmasts.co.uk